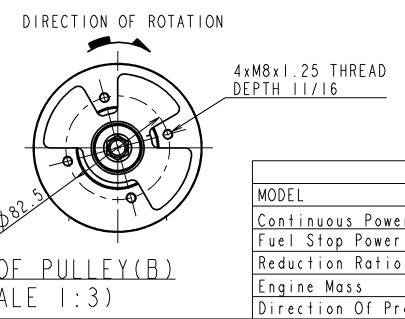
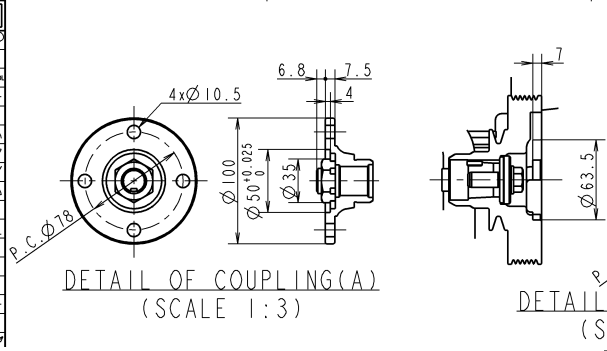
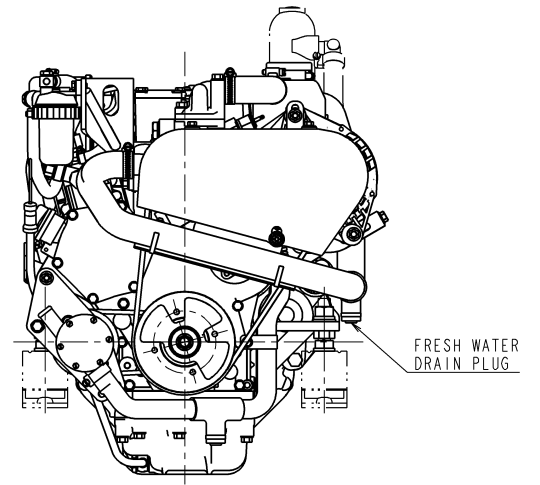
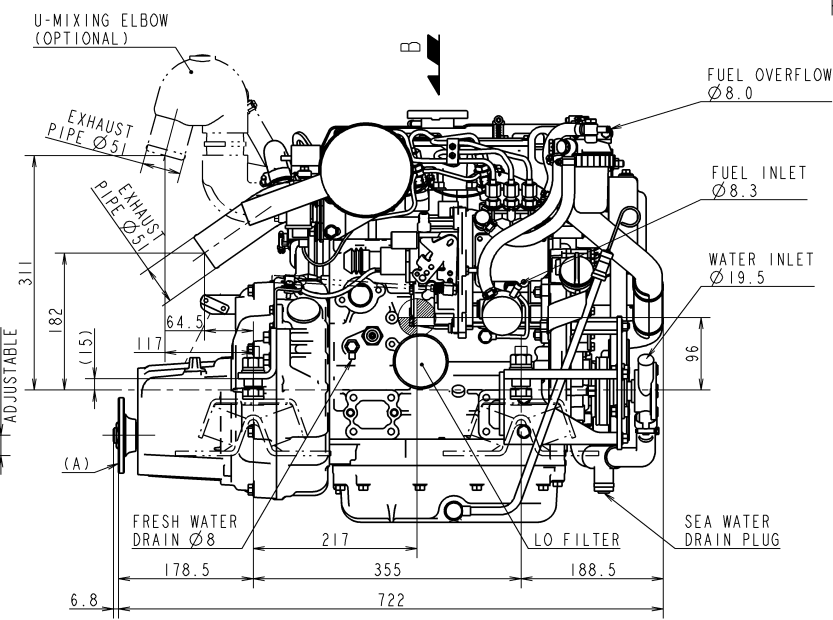
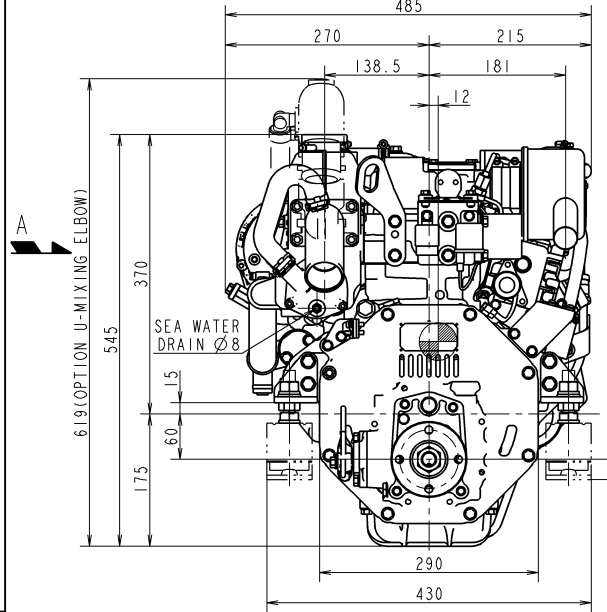
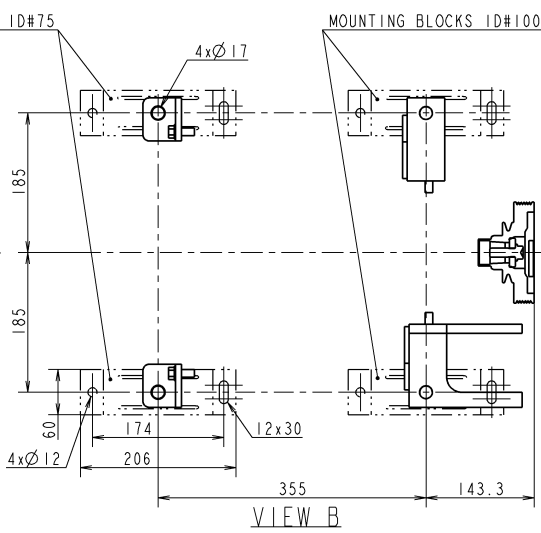
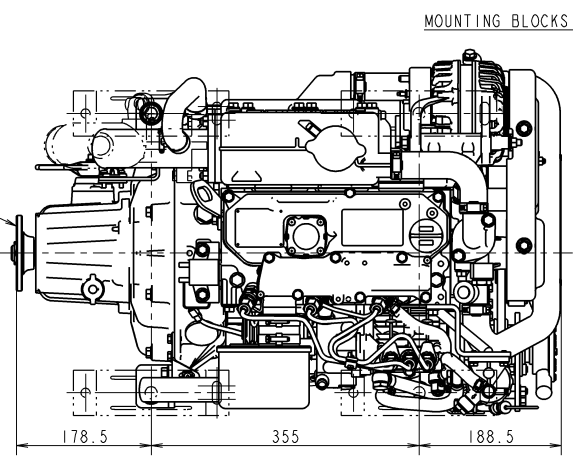
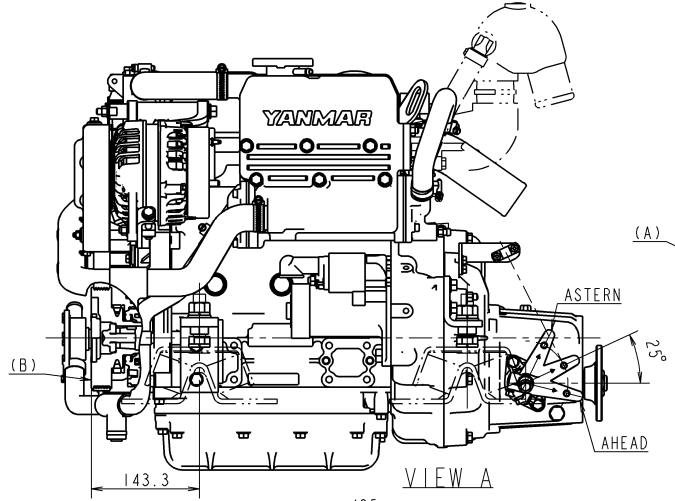


CAREER

REV.1(2015.1.26)
CHANGE VIEW LAYOUT.
(YDSBD-14022)(SHIGA)
REV.2(2018.11.27)
CHANGE HOSE BRACKET
(YDSBD-18019)(SHIGA)



- NOTE
1. DWG. SHOWS MOUNTING BLOCKS AT ORIGINAL HEIGHT.
 2. ENGINE WEIGHT WILL COMPRESS BLOCKS BY 4.5mm(APPROX.).
 3. MOUNTING BLOCKS ARE EQUIPPED FOR STANDARD ACCESSORY.
 4. ● SHOWS CENTER OF GRAVITY.

SPECIFICATIONS	
MODEL	3YM30AE
Continuous Power (ISO8665)kW/min ⁻¹	19.4/3101
Fuel Stop Power Crankshaft (ISO8665)kW/min ⁻¹	21.3/3200
Reduction Ratio	2.21/2.62
Engine Mass	kg Approx.133
Direction Of Propeller Shaft Rotation	Clockwise

SEC. MANAGER		MODEL		3YM30AE		SCALE		1:5	
CHECKED		SPECIALIST		QTY		MATERIAL		-	
DESIGNED		DRAWN		DATE:Y.M.D		NAME		3YM30AEXKM2PI OUTLIN	
志賀		垣立		2013.9.26		YANMAR		CODE	
						REV.1REV.2		REV.1REV.2	
						B2-28995-0020		DRAW SIZE	
								A2	

MANAGER
山口