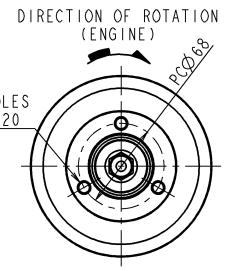
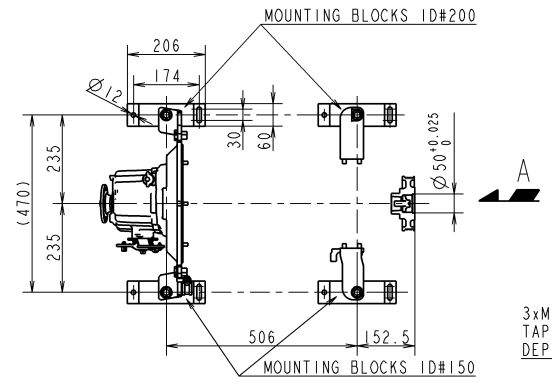
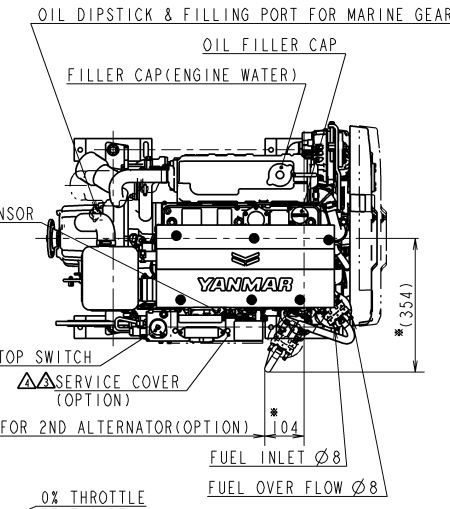
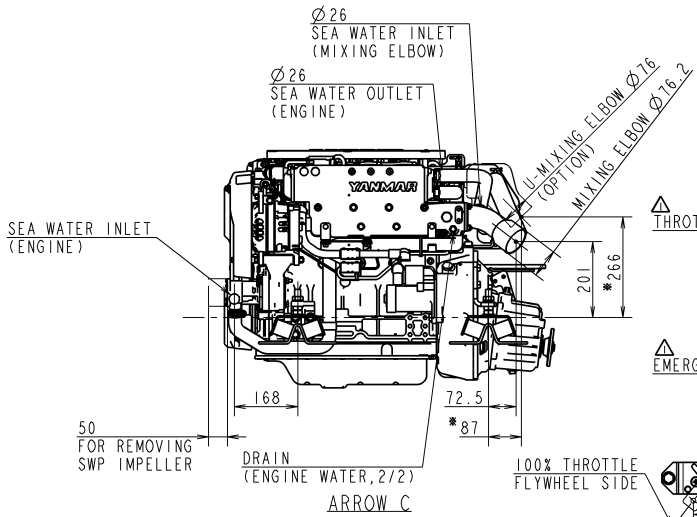
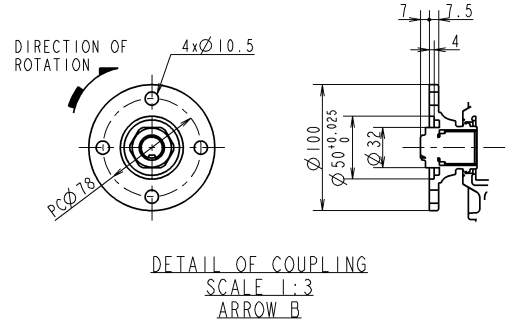
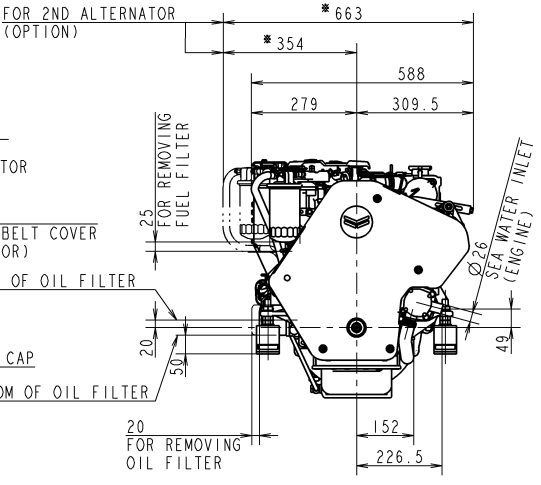
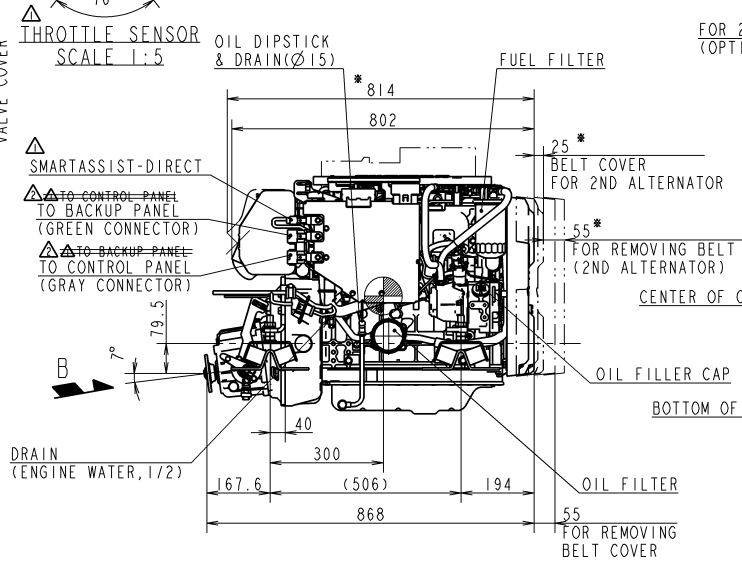
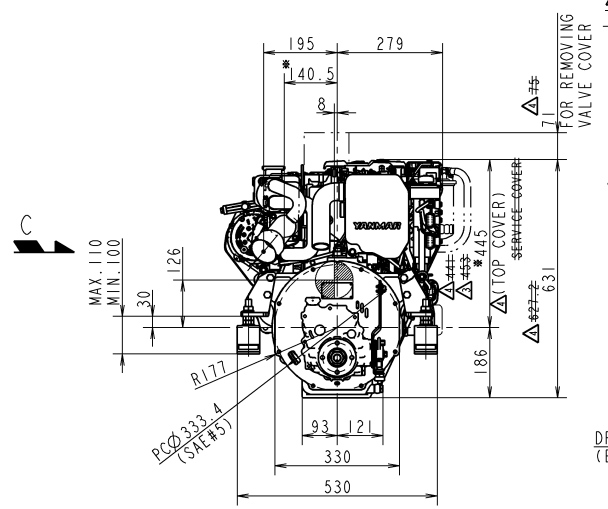


C A R E E R

※1形 YDSBD-14004にのみ適用される。
 1改(2014.6.30)
 ・スタートレック付位置追加
 ・ペダルレレックス3Dモデル(プロトタイプ用)追加
 ・緊急停止スイッチ位置追加
 ・各コネクタ位置追加
 (YDSBD-14012)(船田)
 2改(2014.7.18)
 コネクタ位置の修正を訂正する。(YDSBD-14015)(船田)
 3改(2016.4.11)
 サービスカバーオプション規定(YDSBD-16002)(船田)
 REV.4(2018.3.20) CHANGE TOP COVER AND BELT COVER (YDSBD-18002)



DETAIL OF PULLEY SCALE 1:3 ARROW A



DETAIL OF COUPLING SCALE 1:3 ARROW B

NOTE
 1. MOUNTING BLOCKS ARE COMPRESSED ABOUT 4mm BY ENGINE WEIGHT. DIMENSIONS OF MOUNTING BLOCK IN THIS DRAWING ARE WITHOUT ANY DEFORMATION.
 2. MOUNTING BLOCKS ARE EQUIPPED FOR STANDARD ACCESSORY.
 3. THE FIGURES MARKED WITH * SHOW THE DIMENSIONS WITH U-MIXING ELBOW OR OPTIONAL PARTS.
 4. ● SHOWS THE CENTER OF GRAVITY.

SPECIFICATIONS		
Model	4JH57	4JH45
Continuous Power(ISO 8665)	kW/min ⁻¹ 38.1 / 2907 30.1 / 2907	
Fuel Stop Power	Propeller shaft(ISO 8665) kW/min ⁻¹ --- ---	
	Crankshaft(ISO 8665) kW/min ⁻¹ 41.9 / 3000 33.1 / 3000	
Reduction ratio	2.33 2.64--- 2.33 2.64---	
Dry mass	kg Approx.236	
Direction of rotation at output coupling(Forward)	clockwise	

SEC. MANAGER	北本	MODEL	4JH 57 4JH 45	SCALE	1:10
CHECKED	北本	SPECIALIST		QTY	
DESIGNED	Y. Nuta	DATE: Y.M.D	2014.3.17	NAME	OUTLINE, 4JH57-KM35A2
YANMAR				CODE	B2-29675-0031
				REV. 4	A2