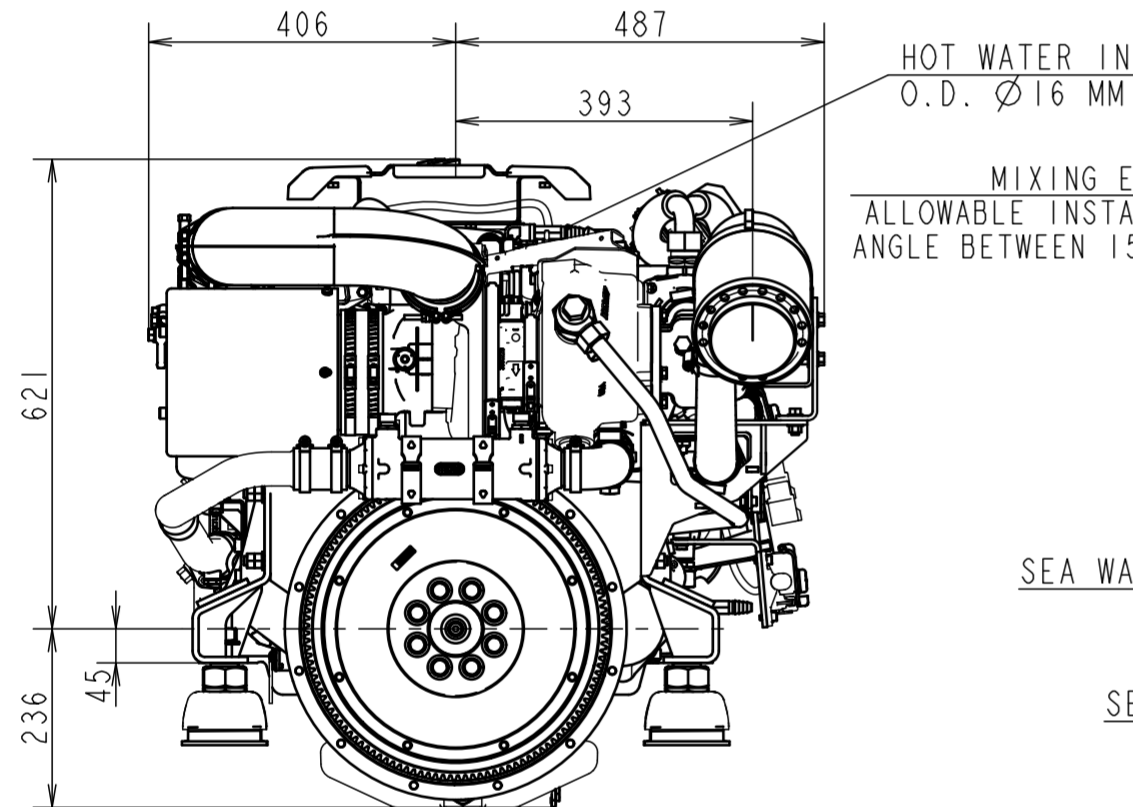
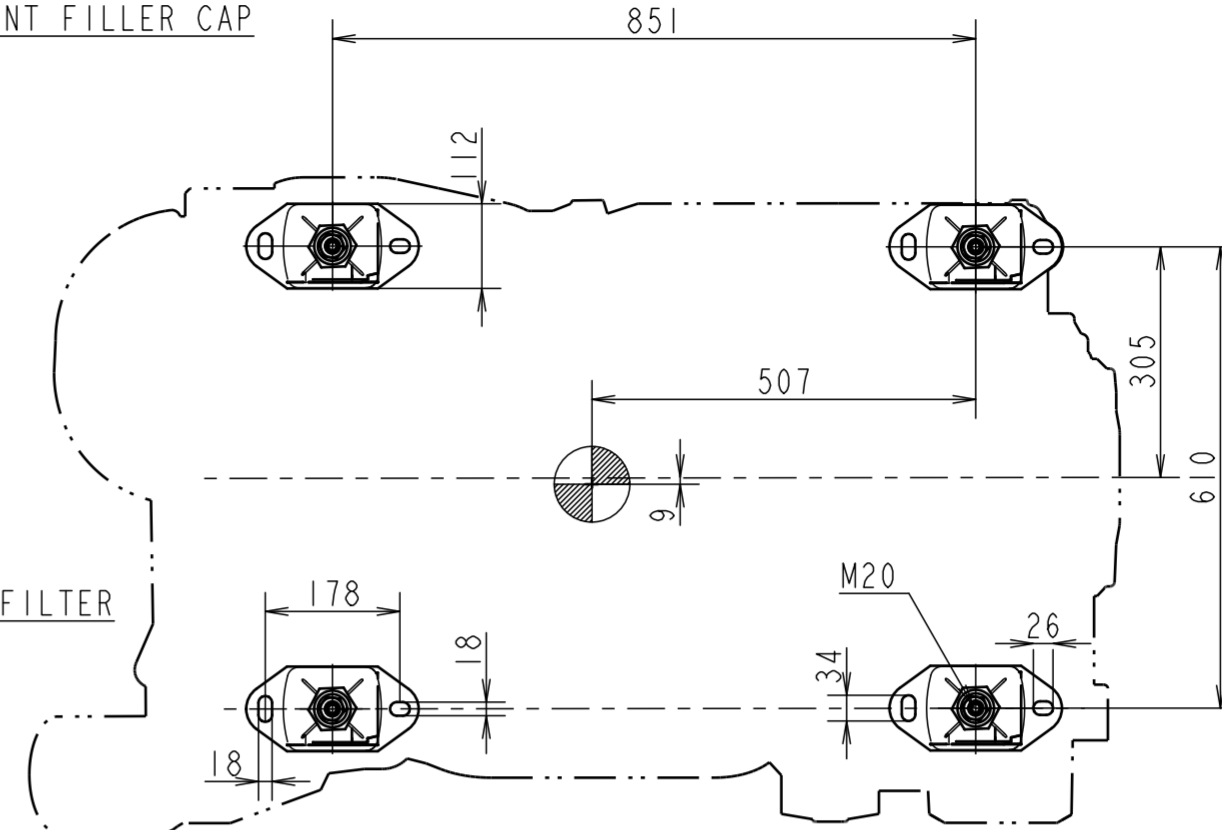
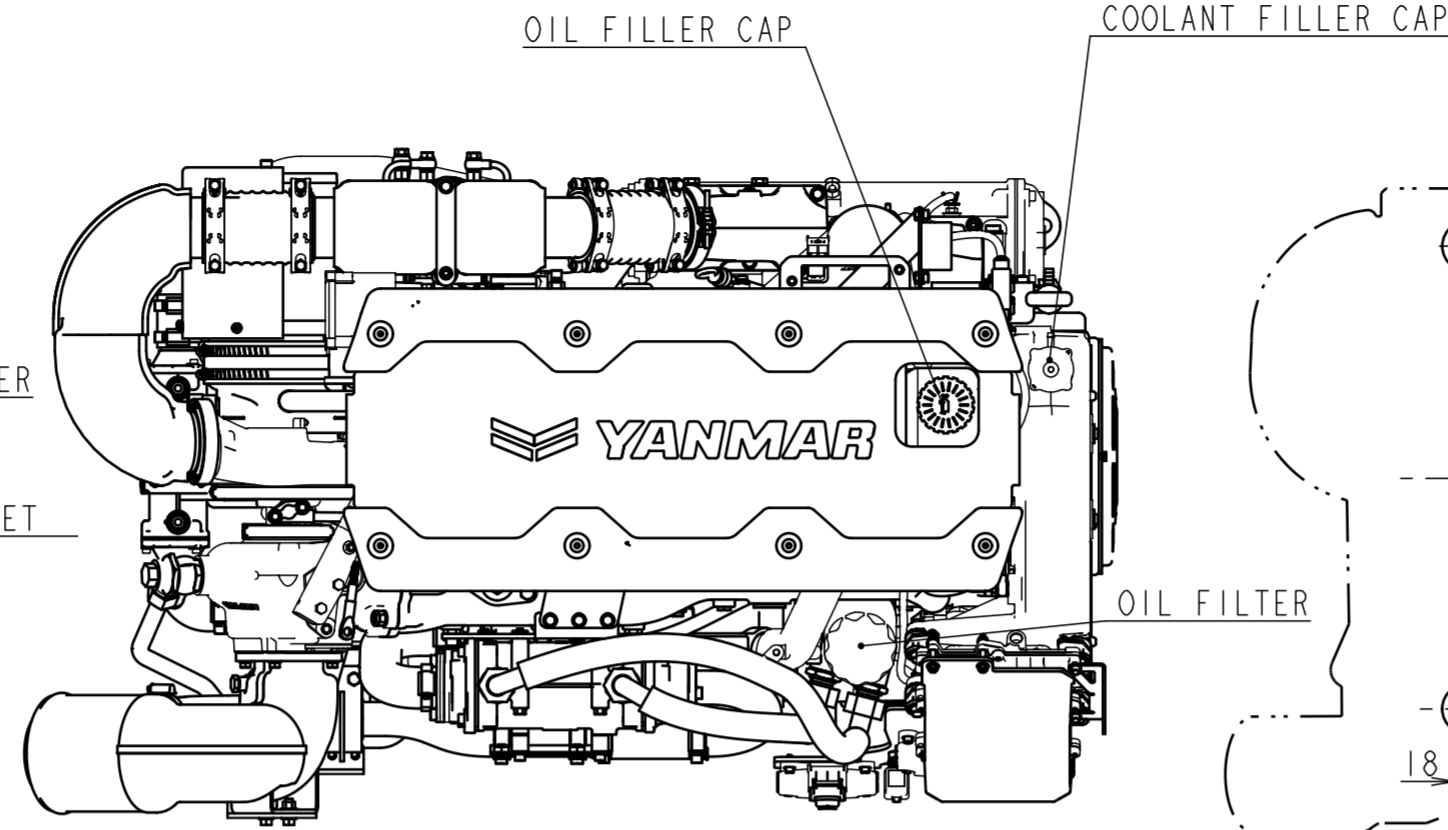
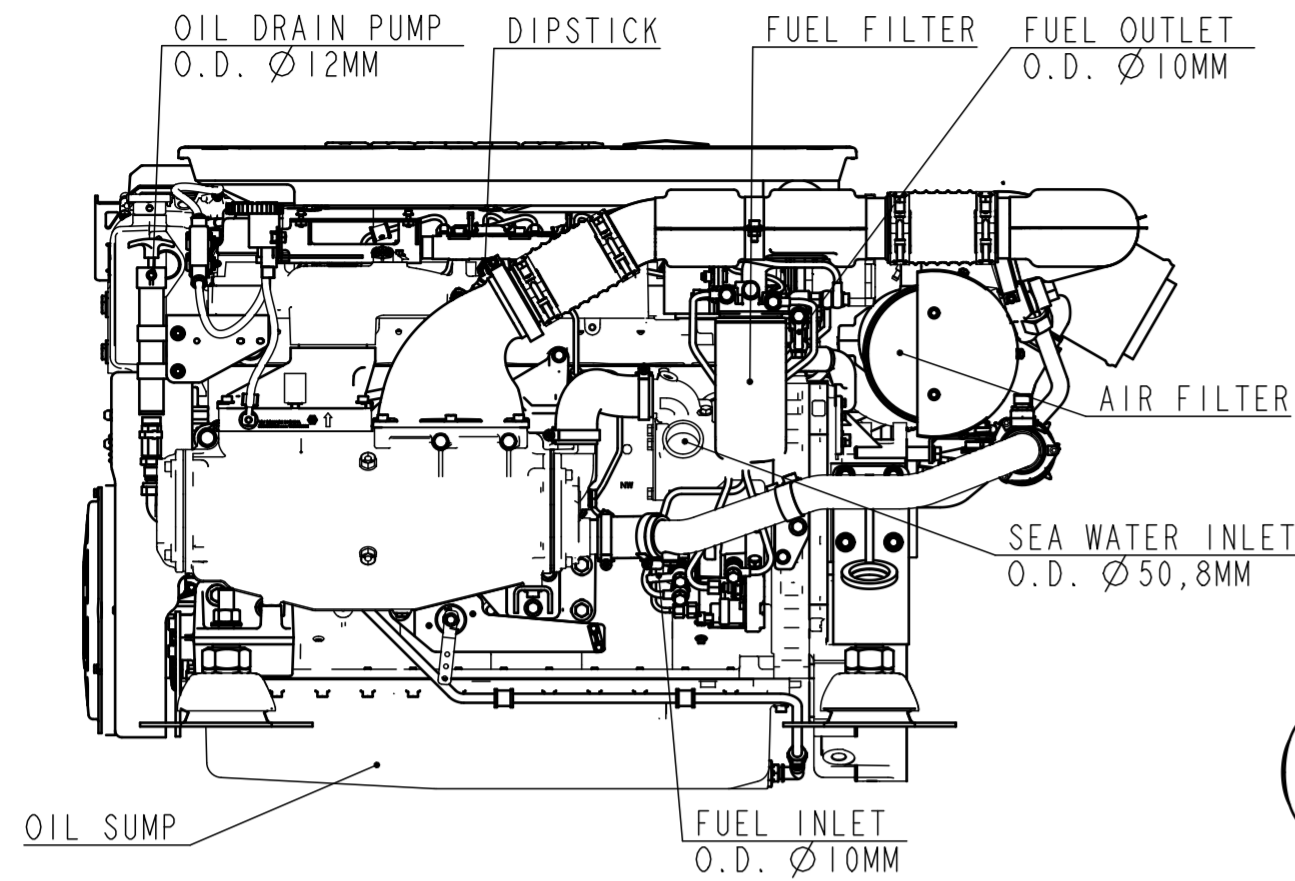
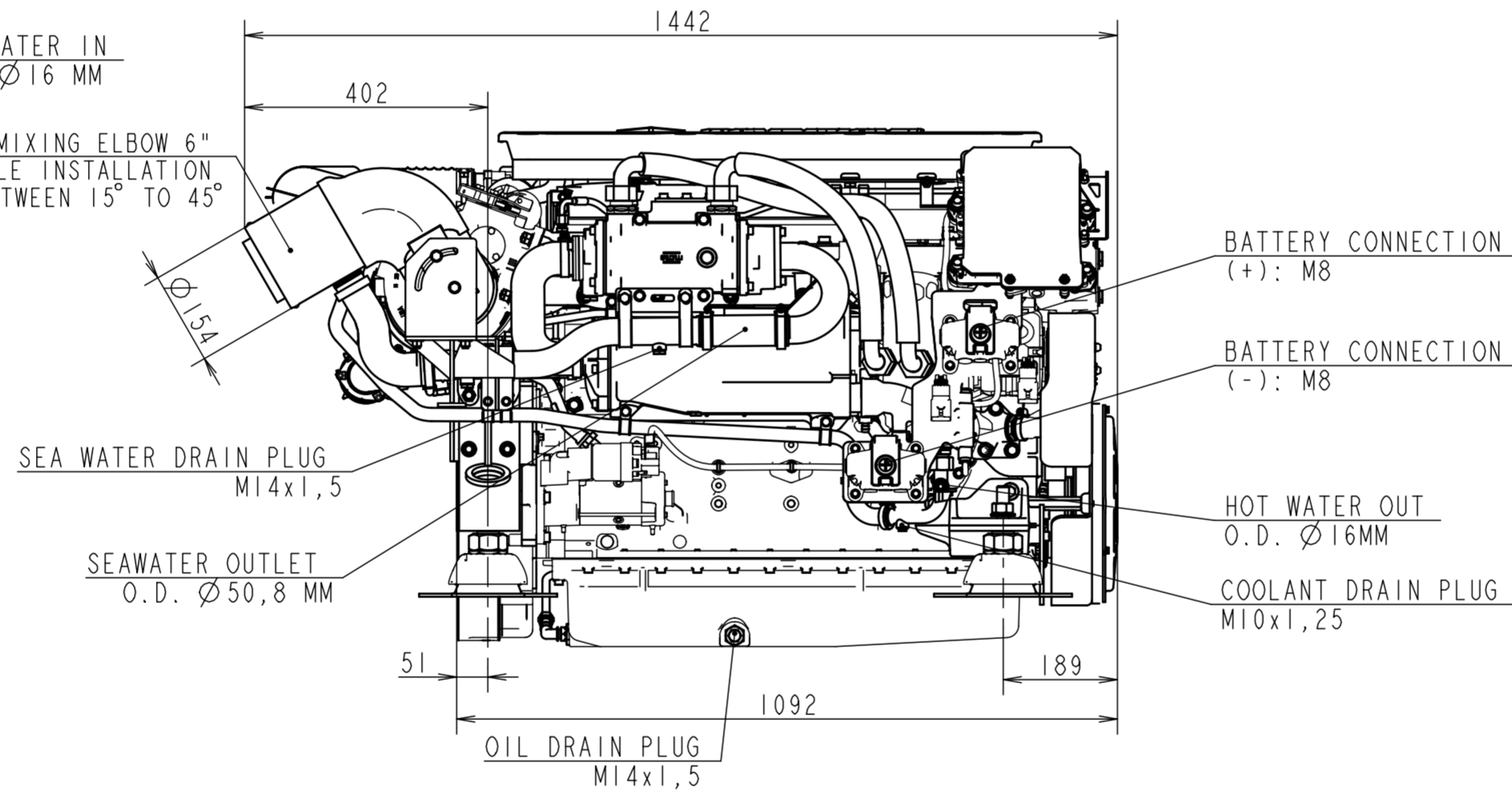


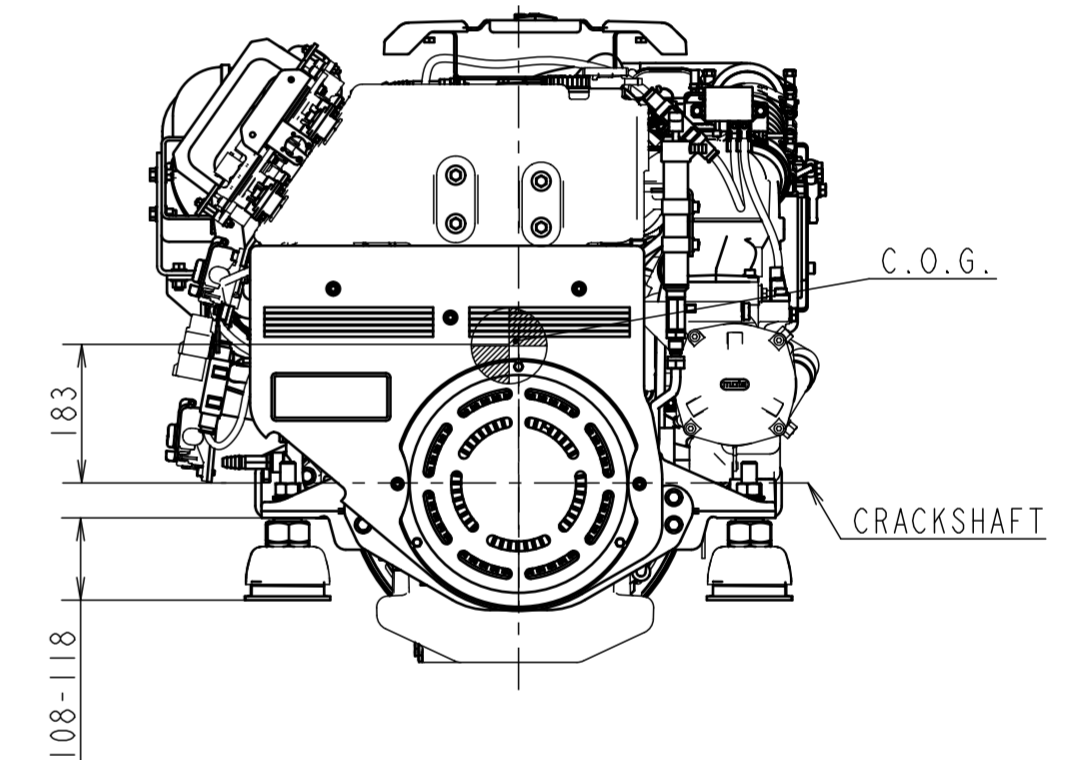
CAREER



HOT WATER IN O.D. Ø16 MM
MIXING ELBOW 6" ALLOWABLE INSTALLATION ANGLE BETWEEN 15° TO 45°



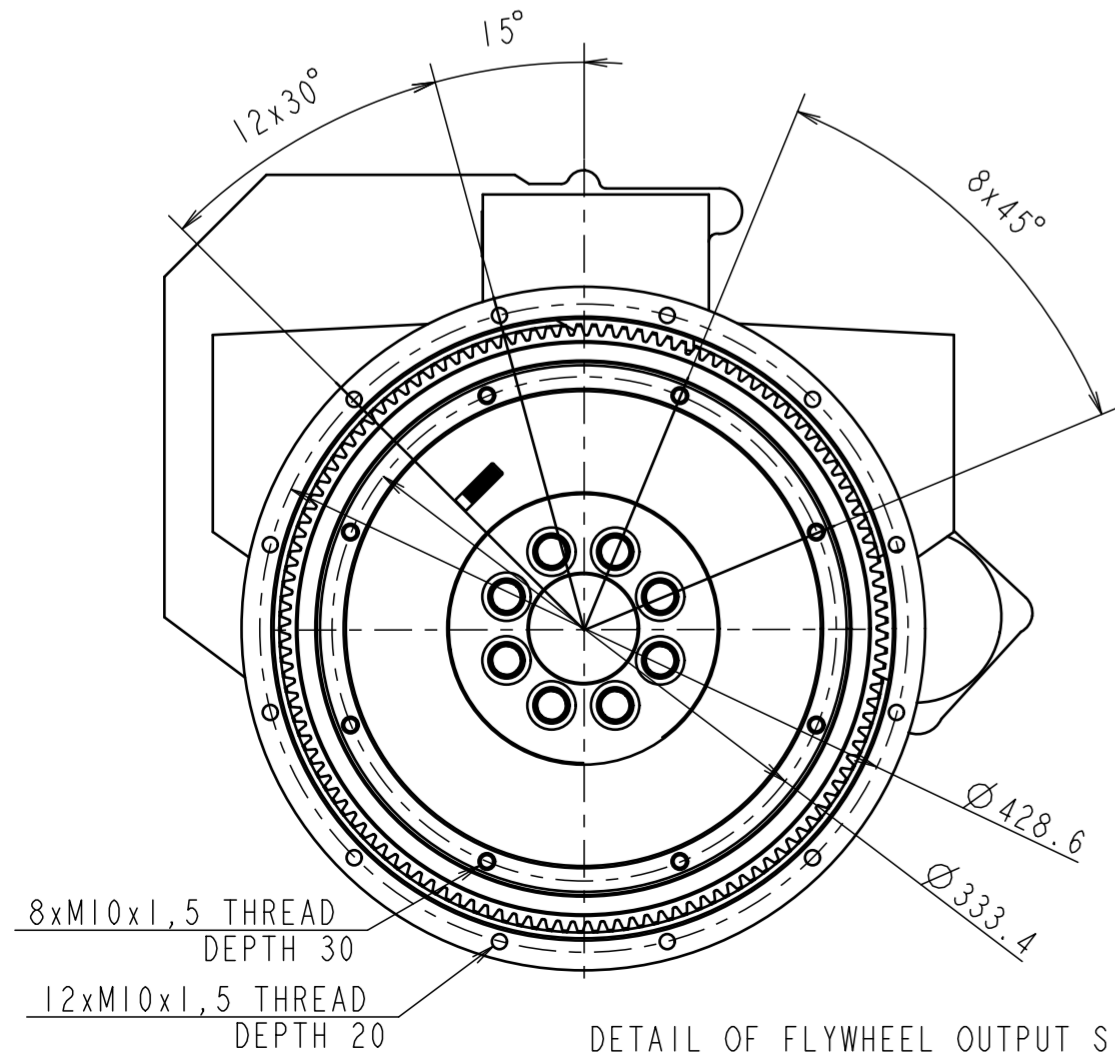
BATTERY CONNECTION (+): M8
BATTERY CONNECTION (-): M8
HOT WATER OUT O.D. Ø16MM
COOLANT DRAIN PLUG M10x1,25



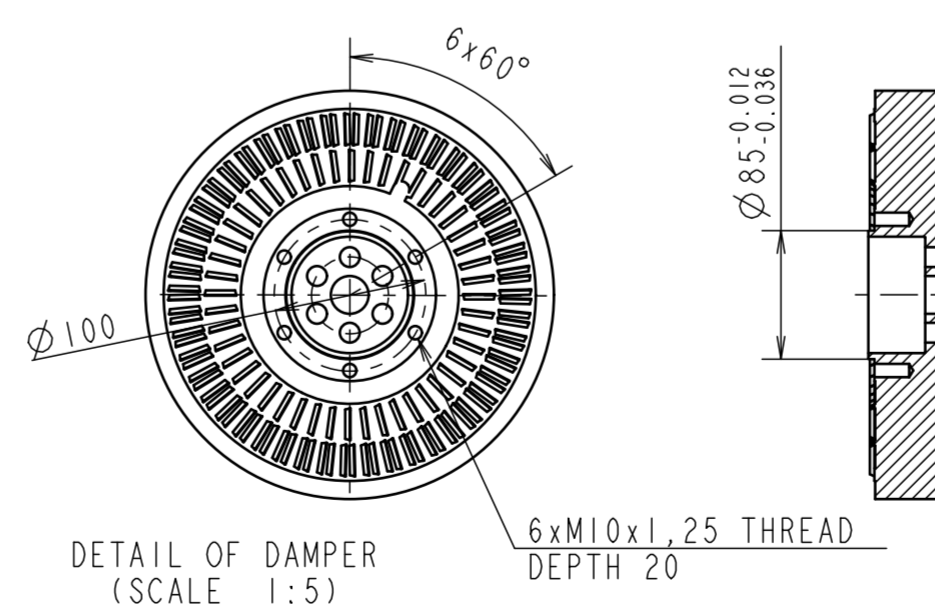
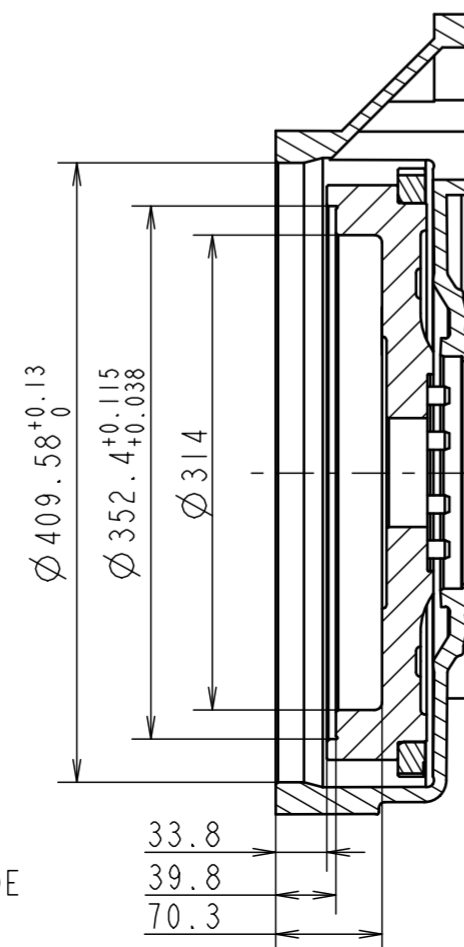
SHOWS CENTER OF GRAVITY

量産用 FOR MASS PRODUCTION

MANAGER



DETAIL OF FLYWHEEL OUTPUT SIDE (SCALE 1:5)



DETAIL OF DAMPER (SCALE 1:5)

		SPECIFICATIONS		
MODEL		6LF 485	6LF 530	6LF 550
FUEL STOP POWER (ISO 8665) (FLYWHEEL OUTPUT)	kW (PS)	356 (485)	390 (530)	404 (550)
	min -l	3000	3000	3000
DRY WEIGHT	kg	780		
DIRECTION OF CRANK SHAFT ROTATION		COUNTER-CLOCKWISE VIEWED FROM STERN		

SEC. MANAGER	MODEL	6LF 485	6LF 530	6LF 550	SCALE	1:10
CHECKED	SPECIALIST	QTY	1	1	MATERIAL	
DESIGNED	DRAWN	DATE: Y.M.D	2020.09.25			
		NAME	6LF ENGINE OUTLINE			
		YANMAR		CODE	B2-63100-0010	DRAW SIZE
		YANMAR MARINE INTERNATIONAL B.V.				A2

3D-CAD
NOTICE
GEOMETRICAL TOLERANCE
KIND OF TOLERANCE
SYMBOL
STRUTNESS TOLERANCE
CIRCULARITY TOLERANCE
PROFILE OF LINE TOLERANCE
FLATNESS TOLERANCE
CYLINDRICITY TOLERANCE
PARALLELISM TOLERANCE
PERPENDICULARITY TOLERANCE
ANGULARITY TOLERANCE
POSITIONAL TOLERANCE
COINCIDENCE TOLERANCE
CONCENTRICITY TOLERANCE
SYMMETRY TOLERANCE
CHAMFER
RUN-OUT
LOCATION
ORIENTATION
POSITIONAL TOLERANCE
ANGULARITY TOLERANCE
POSITIONAL TOLERANCE
ANGULARITY TOLERANCE