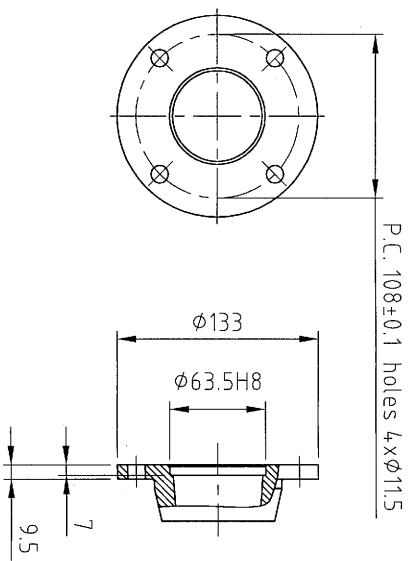
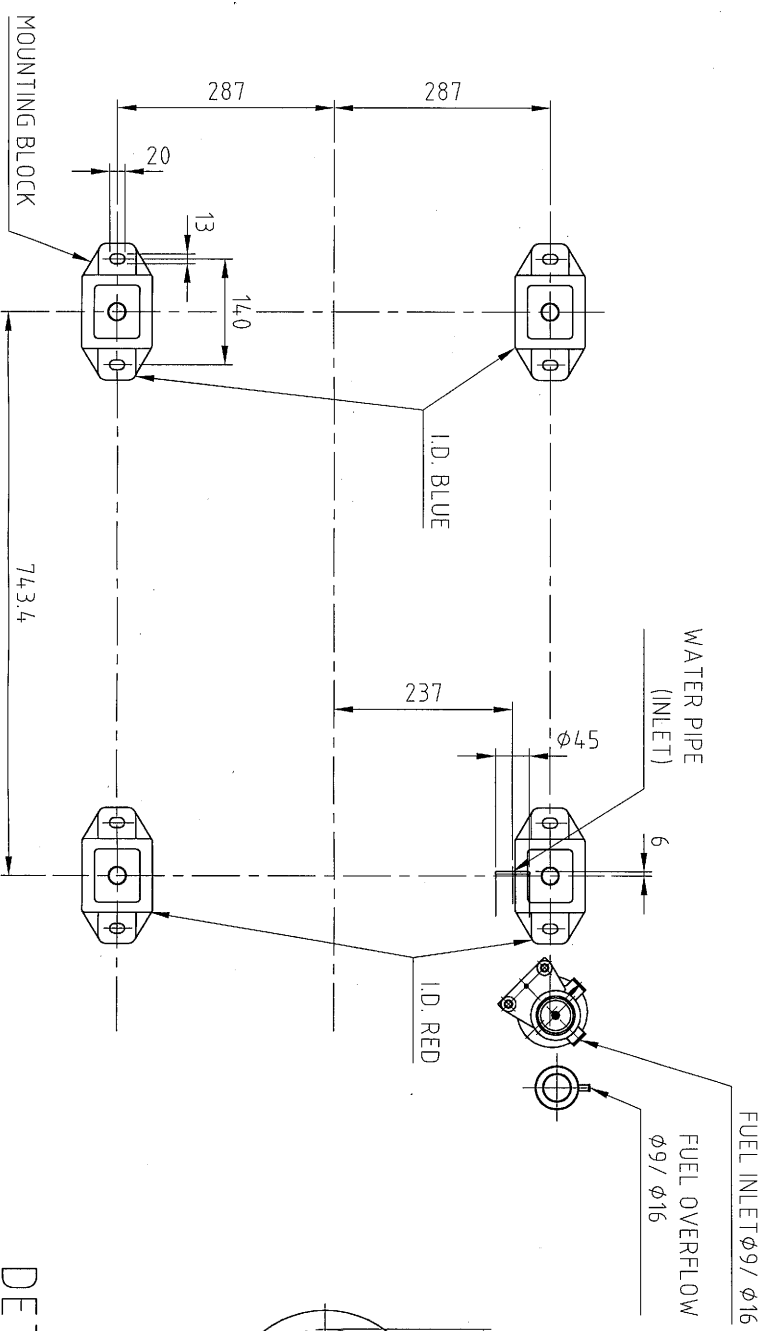


DETAIL OF VISCO DAMPER (1:5)



DETAIL OF COUPLING (1:5)

note:
 - Drawing shows flex. mounts at compressed height (compressed by approx. 3mm).
 - Optional reinforcements required for high speed- or offshore use.
 - Drawing may contain options

Benaming:		6LPA + ZF63A1	
Opmerkingen:		Installatie tekening	
Johan Enschedeweg 1a	American Projection	Getekend	PvZ
1422 DR Uithoorn	No part of this document may be reproduced or distributed without the prior written permission of Yanmar Benelux BV	Datum	21-01-2000
Tel.: 0297-513913		Gecontr.	BVo
Fax: 0297-513919		Datum	21-01-2000
Yanmar Benelux BV		Artikelnummer:	ART.NR.
		Schaal	1:10
		Formaat	A3
		Revisie	A