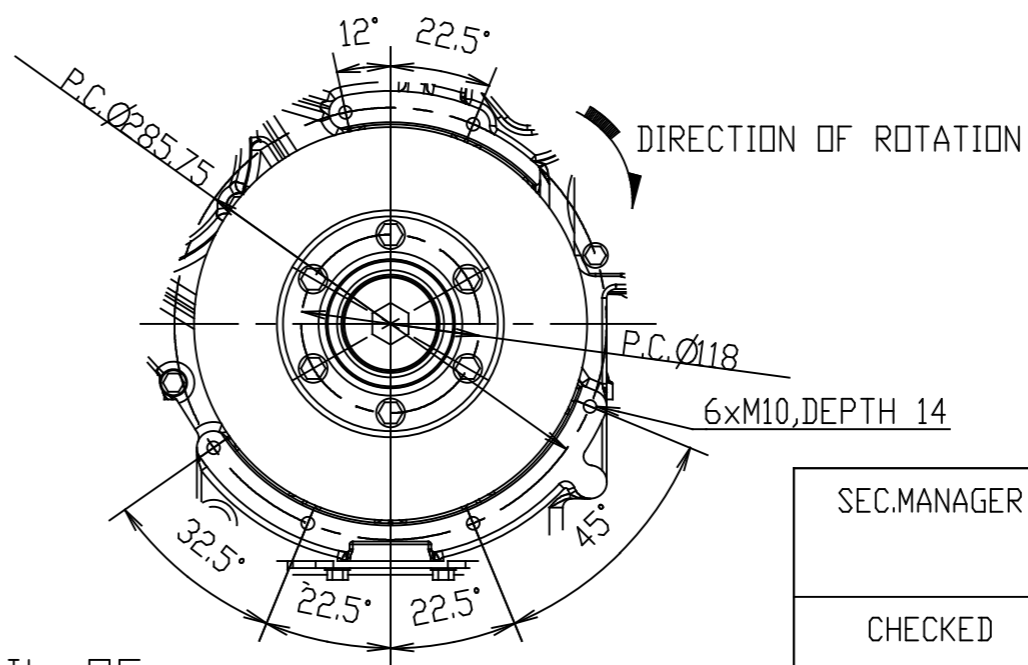
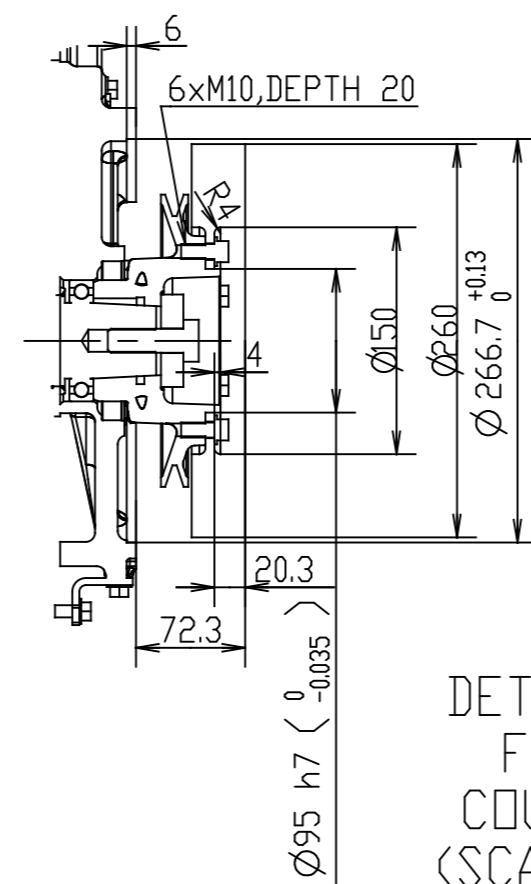
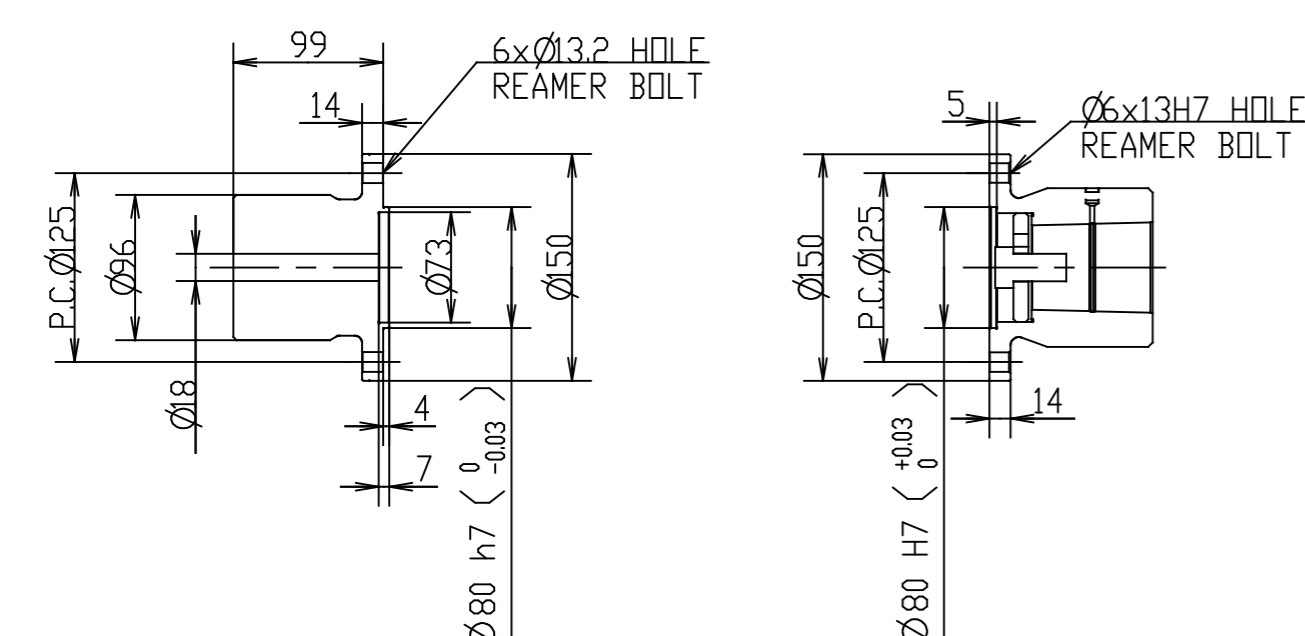
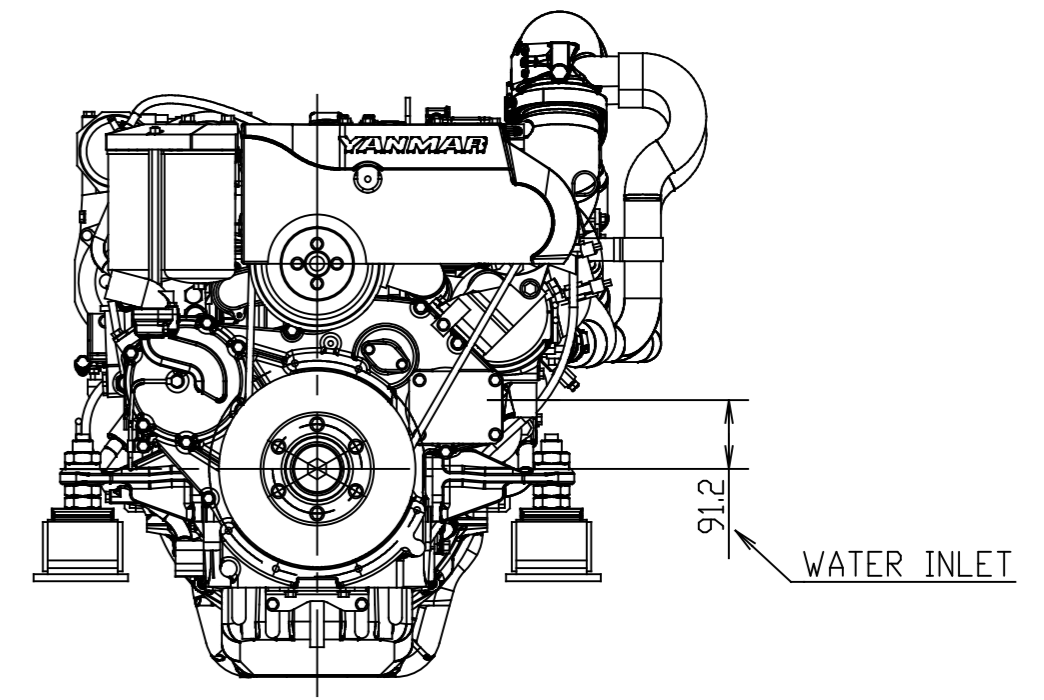
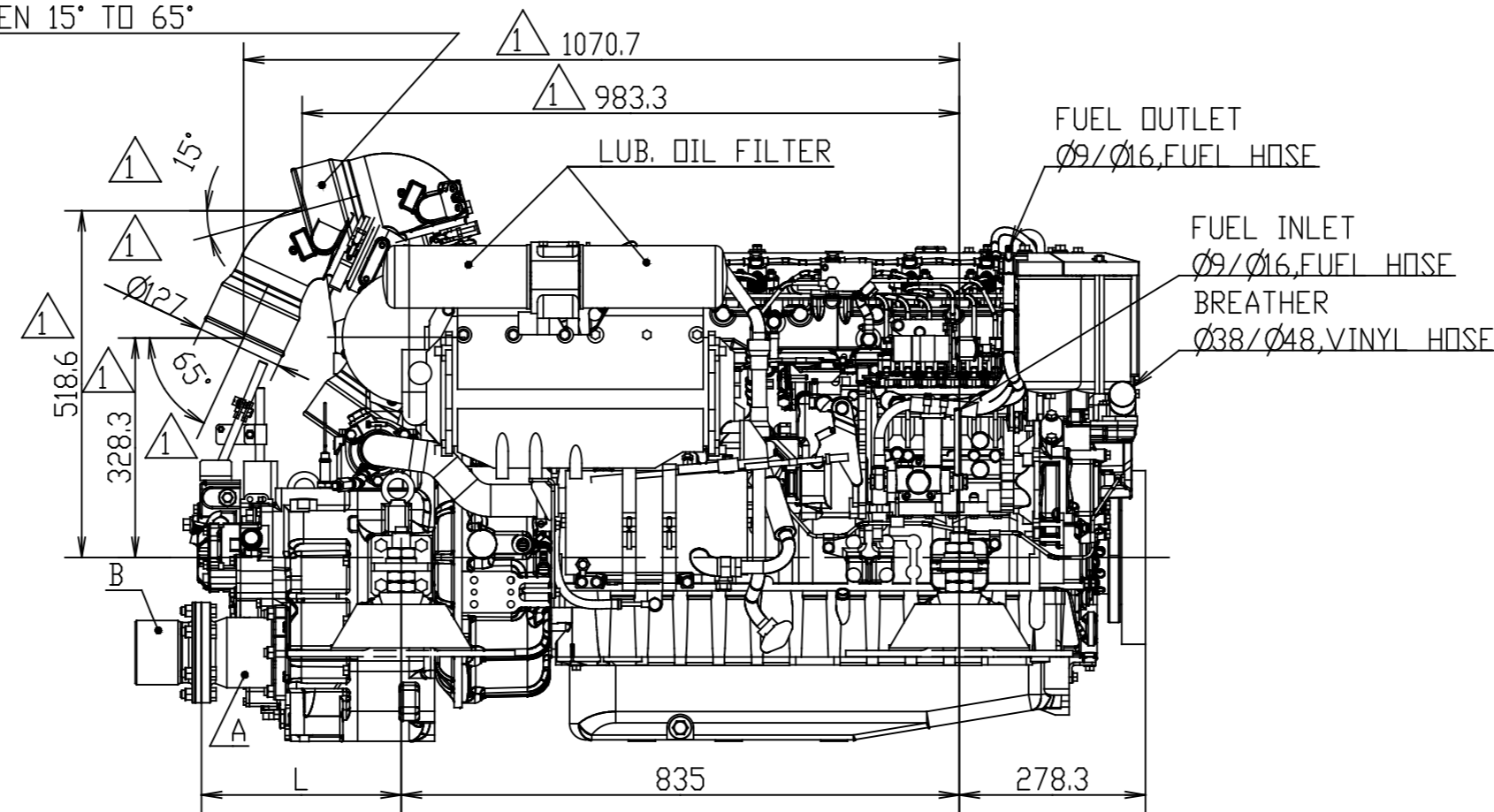
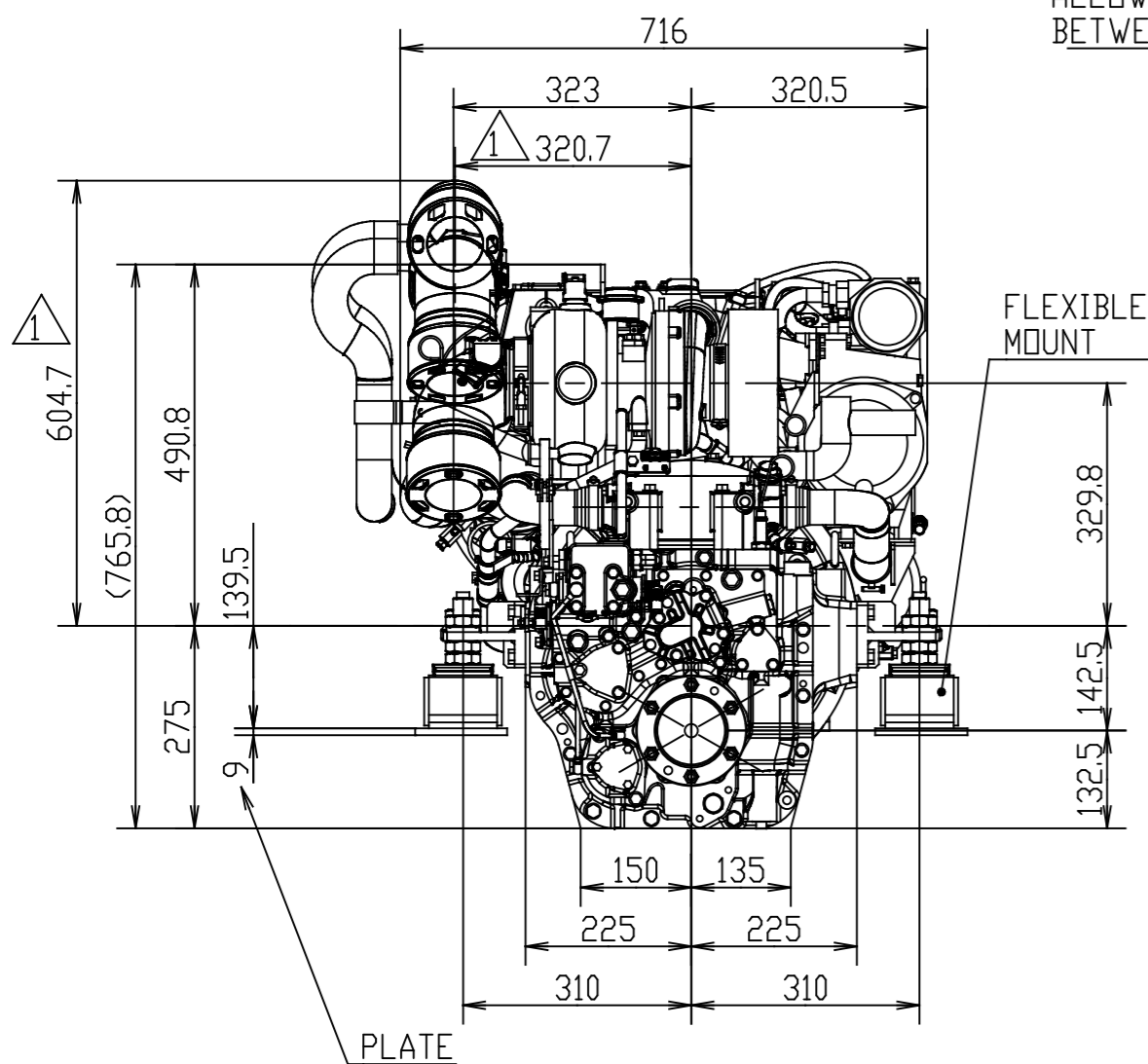
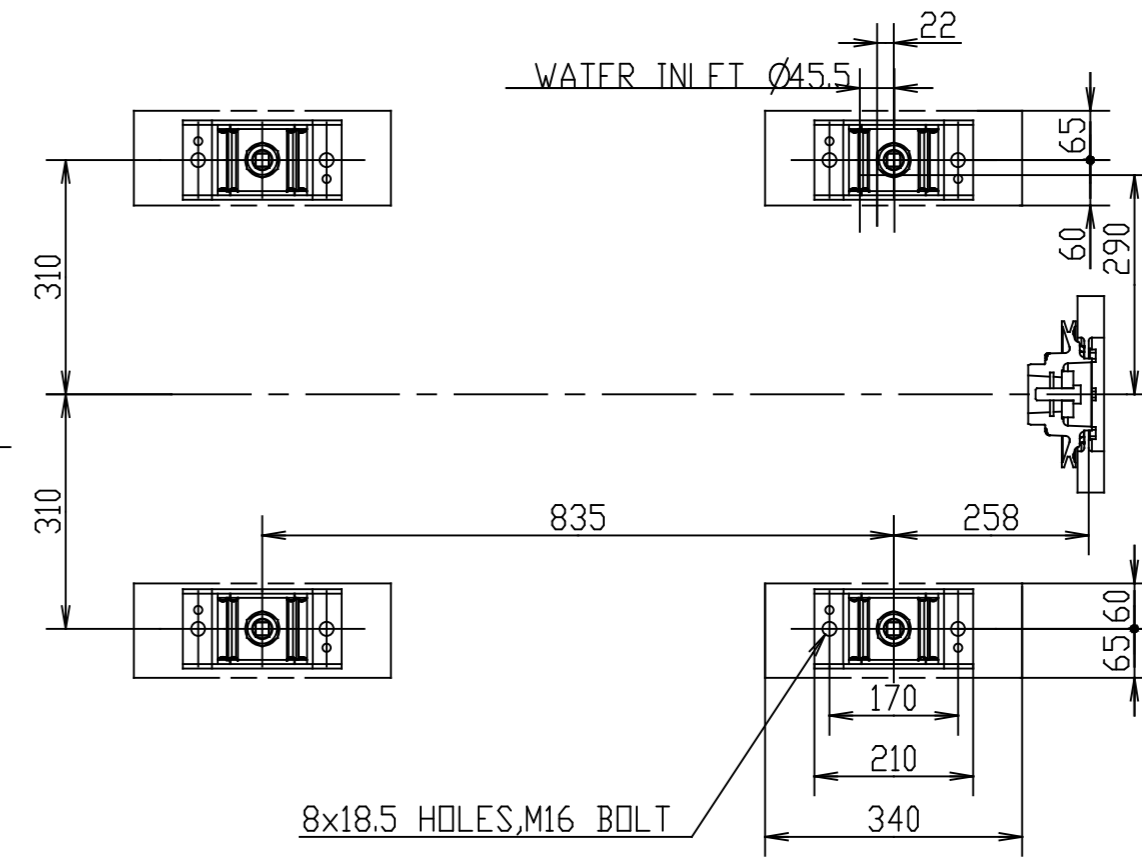
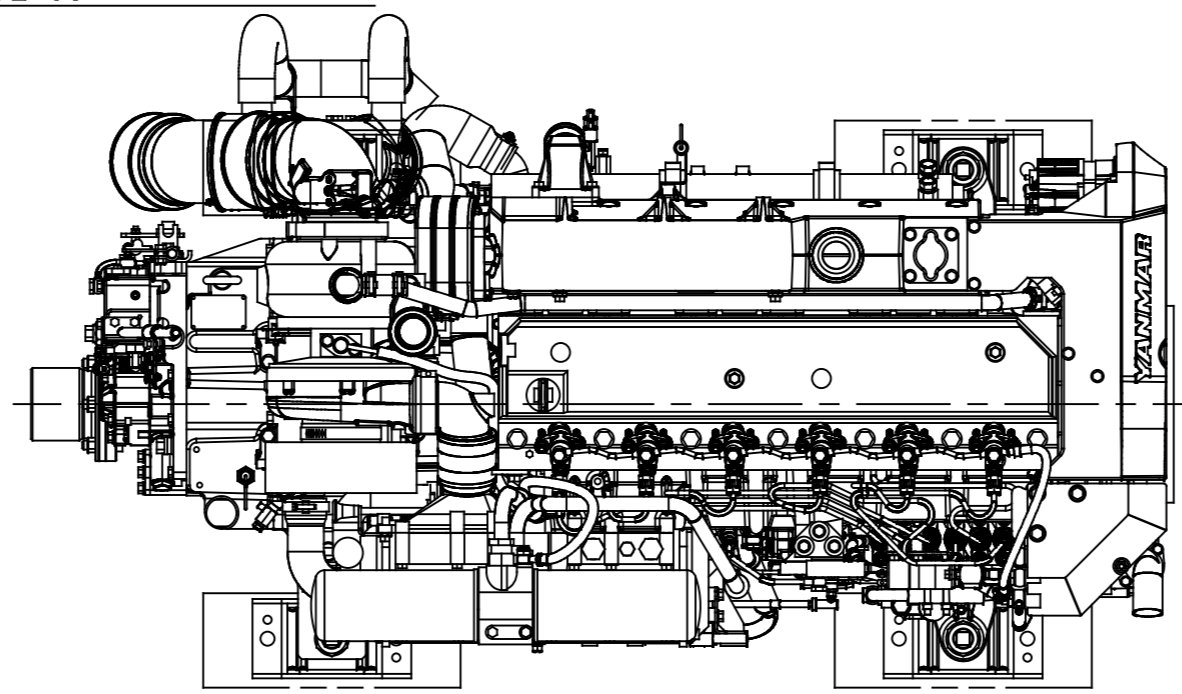
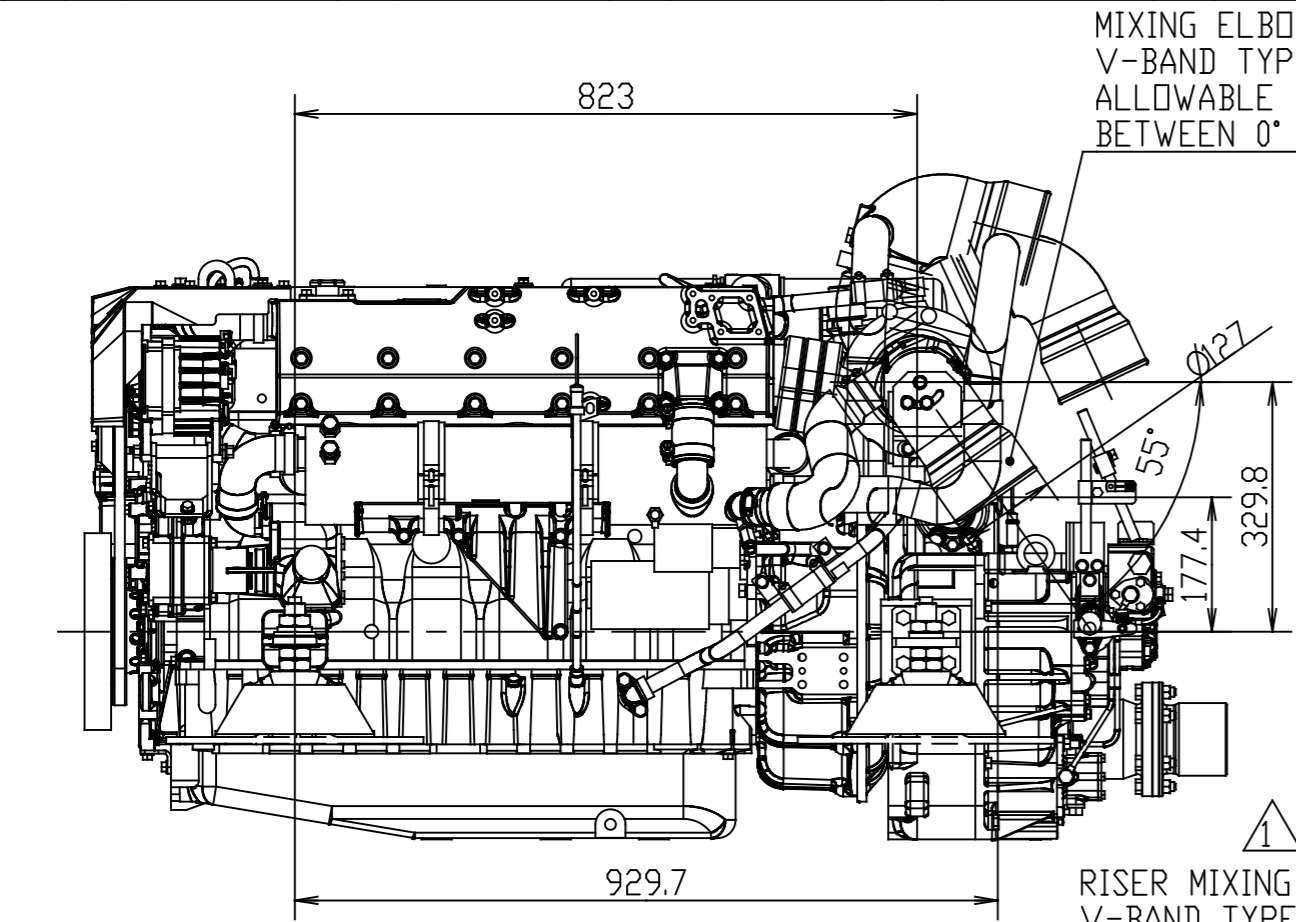


CAREER

本図新製する。(YDSBD-14018)  
1改(2015.9.14)図面修正する。  
(YDSBD-15006)〈中村〉



MARINE GEAR: YX-50S(-1)  
ISOLATED INSTALLATION

MANAGER

SEC.MANAGER	MODEL	6LY26LY2 M- WST WDT	SCALE	1:10 (1:5)
CHECKED	SPECIALIST	QTY	MATERIAL	
DESIGNED	DRAWN	DATE:Y.M.D	NAME	
廣松	中川	2014.10.23	6LY2M OUTLINE	
MODEL	MARINE GEAR	L	CODE	1改
6LY2M-WST	YX-50S-1	299	B2-19595-0680	
6LY2M-WDT	YX-50S	282.5		
YANMAR			YANMAR CO.,LTD. DEVELOPMENT DIV.	DRAW SIZE A2

3D-CAD	NOTICE
GEOMETRICAL TOLERANCE	
KIND OF TOLERANCE	
SYMMETRY TOLERANCE	
PERIODICITY TOLERANCE	
POSITIONAL TOLERANCE	
CONCENTRICITY TOLERANCE	
COINCIDENCE TOLERANCE	
FORM TOLERANCE	
ORIENTATION TOLERANCE	
LOCATION TOLERANCE	
FINISH TOLERANCE	